



Design and Fabrication of a Flour Mixing Machine

W.A Ajibola and G.W Ibrahim

Mechanical Engineering Department, Federal Polytechnic Ilaro.

Phone :08039553113

Email: ajibolawahabafolabi@gmail.com, gbengawasiu20@yahoo.com

Article info

Received 27 October 2020

Revised 03 December 2020

Accepted 16 December 2020

Available online 24 December 2020

Keywords:

Baking, Dough, Fabrication, Machine, Mixing and Transmission



<https://doi.org/10.37933/nipes.a/2.2020.8>

<https://nipesjournals.org.ng>

© 2020 NIPES Pub. All rights reserved

Abstract

A mixing machine was fabricated to eliminate the local process of mixing flour for both domestic and commercial uses. The uniqueness of the machine rests on the fact that the mixer basin as well as the stirrer can be changed at will to suit the nature of materials being mixed. The machine was developed to enhance the hygienic processing of flour into dough for bread baking and other related products of flour for human consumption. The mixer eliminates the unhygienic and laborious indigenous process of preparing it. The frame was made of mild steel U and square channel (1270mm x 1000mm) metal sheet welded to cover the whole frame except the underneath. The U-Channel square base housed the gearbox of 1:40 and the transmission system. The machine was designed to mix 25kg of flour and ingredients within 25 minutes into dough. The machine has 87% efficiency. The machine parts consist of 2.5hp electric motor of 2840rpm, driver pulley, V-belt, gearbox, stainless basin, stirrer, shaft, etc.

1. Introduction

Flour is a finely grounded cereal grains or other starchy portions of plants, used in various food products and as a basic ingredient of baked goods. Wheat flour is mostly used for bread production. Wheat is a source of energy (carbohydrate). However, it contains significant amounts of other important nutrients including proteins, fiber, and minor components including lipids, vitamins, minerals, and phytochemicals which may contribute to a healthy diet [1]. Just that in recent time, bread consumption is continuously increasing in many of the developing countries, such as Nigeria. The desire of flour mixing machine increases because in food industries, hotels, bakeries and pizzerias, mixing of flour dough is a major operation in food production [2]. A dough mixer is used for household or industrial purposes. It is used for kneading large quantities of dough. It is electrical, having timers and various controls to suit the user's needs. Some features of dough blenders include high speed, low speed and bowl reverse and a kneading bar in the Centre of the bowl. In African dough mixer is mainly characterized as the matter created for yam pounding, flour mixing with proper amount of water, with addition of recipe ingredients for flour (yeast, fats and oil, sugar [1]. In Food industries, mixing of flour to form dough has been a major operation in their production process. Even in many homes, mixing of flour for baked foods has become necessary; hence the need for an affordable flour mixing machine is on the increase [3]. Mixer is also a kitchen utensil which uses a gear –driven mechanism to rotate a set of beaters in a bowl containing the food to

prepare. It automates the repetitive tasks of stirring, whisking or beating. When the dough hooks are replaced by a beater, a mixer may also be used to knead [4, 5, 6,7,8].

A stand mixer varies in size from small countertop models for home use to large capacity commercial machines. Stand mixers create the mixing action by rotating the mixing device vertically: planetary mixers, or by rotating the mixing container, spiral mixers [9].

All mixing machines available today are designed to incorporate both the mixing and the kneading processes [2]. Bread dough mixing requires a method by which the products are homogeneously mixed and hydrated, resulting in a well-developed gluten network [4, 6, 10,11, 12]. However, the cost of dough mixing still remained uneconomically affordable for the small and medium scale bakeries. The primary objective of solid mixing requires intimate intermingling of the materials to be mixed. This is not so simple, as there is no one mixer design that universally satisfies all mixing requirements. The processes of mixing flour consume time, energy as care must be taken to avoid contamination for proper hygiene. There are already existing flour mixing machine but they have problem like cleaning, high cost and time consuming [13, 14, 15]. In view of this demerit, a machine that can mix up to 25kg of flour which have low cleaning, not laborious, easy to operate will be constructed.

2. Methodology

2.1 Design Considerations and Machine Components

In constructing and fabricating the flour mixing machine, feasibility studies were carried out on the availability, strength, machinability, and the economic considerations on the materials required for the designing of the machine.

2.2 Design Analysis

2.2.1 Design assumptions

- The acceleration due to gravity (g) is 9.81m/s^2
- The density of stainless steel is 7880kg/m^3
- The density of mild steel is 7850kg/m^3
- The volume of flour to be mixed should not be more than $2/3$ of the total volume of the mixing chamber;

2.5hp electric motor with high speed (2840rpm) [3]

Capacity of the machine 100kg/hr

Relative density (Rd) of dough 11.5kg/m^3 [7]

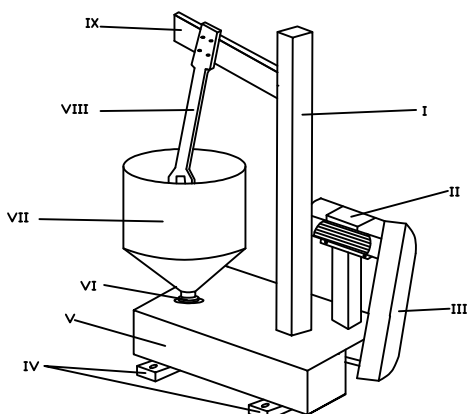


FIG.	LABELLINGS
I	VERTICAL STIRRER SUPPORT
II	ELECTRIC MOTOR
III	ELECTRIC MOTOR SUPPORT
IV	LEG SUPPORT
V	BASE SUPPORT
VI	ROTATION BEARINGS
VII	BARREL
VIII	STIRRER
IX	HORIZONTAL STIRRER SUPPORT

Fig 1: Flour Mixing Machine

Table 1: Design Analysis

MACHINE PARAMETER	INPUT	ANALYSIS	DECISION/REMARK
Volume of the mixing basin(V), Diameter of basin(d), Radius of basin(r).	Designed for a mixer capable of mixing 25kg of flour per batch; Rd of dough = 11.5kg/m ³ Let, vol. of water + vol. of air space + other ingredients = 12% V ; let h = 0.58m;	Volume of mixing basin, V=25/11.5 = 2.17m ³ Let, vol. of water + vol. of air space + other ingredients = 12% V Thus, V = 2.17 + (0.12 x 2.17) = 2.43m ³ But, V=πr ² h ; r = (V/πh) ^{1/2} = 1.15m; Thus, d =1.15 x 2 = 2.31m	d = 2.31m
Thickness of mixing basin(t) Circumferential or hoop stress on mixing basin(σ _h)(Khurmi,2003); Where P _i is the intensity of internal pressure; d is the internal diameter of mixing basin, and t is wall thickness of the basin where m= mass of mixture, kg	σ _h = P _i d/2t; since the mixing basin is open, longitudinal stress is negligible. σ _h ≤ 1Gpa But P _i = pressure due to (centrifugal force + weight of mixture P _w = ρgh; ρ is density of mixture, h is height of mixture, and P _w = pressure Since F _c is acting on the circumference of the mixing basin; Area on which F _c acts; A _c =2πrh	P _i = P _c + P _w Centrifugal Force on Mixture, P _w = 11.5 x 9.818 x 0.58 =0.065kN/m ² F _c = mrω ² ; where m= mass of mixture(kg) ω=2πN/60 where r is radius of basin, m; ω is the angular velocity, rad/s; and N=2840/40(1:40) =71rev/min ω = (2πx2840)/60 = 297.4rad/sec.; F _c = 56 x 1.15 x (297.4) ² =5695.97kN A _c = 2πrh = 2π x 1.15 x 0.58 = 4.19m P _c = F _c /A _c = 5695.97/4.19 = 1359.42kN/m ² ; P _i = 1359.42 + 0.065 =1359.46kN/m ² t = P _i d/2σ _h = (1359.46 × 10 ³ x 2.31) / (2 x 1 x 10 ⁹) = 0.00157m	t ≈ 2mm thick stainless steel plate
Speed of the driven pulley, N ₂	N ₁ = 2840RPM D ₁ = 0.050m D ₂ = 0.15m	N ₁ D ₁ = N ₂ D ₂ N ₂ = $\frac{2840 \times 0.05}{0.15}$	N ₂ = 946.67RPM
Speed ratio, r	N ₁ = 2840RPM N ₂ = 946.67RPM	r _s = $\frac{N_1}{N_2} = \frac{D_2}{D_1} = \frac{150}{50} = 3$	N ₁ : N ₂ = 3 : 1 D ₂ : D ₁ = 3 : 1
Velocity, V	ω ₂ = $\frac{2\pi N_2}{60}$ r ₂ = 0.075m	ω ₂ = 99.13rad/s V = r ₂ ω ₂ = r ₁ ω ₁ V = 0.075 × 99.13 V = 7.43m/s	V = 7.43m/s
Circumferential force, F on the basin	Volume of the empty basin, V _P	V _P = π × $\frac{(D_b)^2 - (d_b)^2}{4}$ × L _b = π × $\frac{(0.62)^2 - (0.127)^2}{4}$ × 0.58 = 2.82 × 10 ⁻³ m ³ F = ρ _{stainless steel} × V _P × g	F = 7880 × 2.82 × 10 ⁻³ m ³ × 9.81 = 217.98N

Power output, P_o	$F = 217.98\text{N}$ $V = 7.43\text{m/s}$	$P_o = F \times V$ $= 217.98 \times 7.43$	$P_o = 1.62\text{KW}$		
Efficiency, η	$P_o = 1.62\text{KW}$ $p_i = 1.86\text{KW}$	Power input, p_i	1HP = 0.746KW	2.5HP = 2.5 × 0.746 = 1.86KW	$p_i = 1.86\text{KW}$

Table 2: Constructional Procedure

S/N	COMPONENTS	MATERIALS	DIMENSION	PROCESSES	MACHINE USED
1	U and Square channels for the base, standing arm and extension arm respectively	Mild steel	1524mm x 610mm & 1400mm x 400mm	Cutting, burning, Welding, grinding	Gas and Arc welding m/c, grinding m/c
2	Basin	2mm thick stainless steel	550mm x 640mm	Sheet rolling, doming, welding	Rolling m/c, doming m/c, arc welding machine mc
3	Stirrer	Stainless steel	860mm x 200mm	Cutting, drilling, welding	Hack saw, drilling m/c, arc welding m/c
4	Drive shaft	Hard steel	800mm x 60mm	Turning, milling	Lathe, milling m/c
5	Pulleys	Mild steel	50dia & 150dia	Turning	Lathe
6	A-49 Belt and pulleys guard	Rubber, mild steel	575mm x 5mm	Fixed within the groove, cutting, welding	Hack saw and welding m/c
7	Prime mover (electric motor)	Cast iron	289mm x 90mm	Fastening	Bolts and nuts
8	Shackle bearing	Cast iron	50mm x 12mm	Fastening	Bolts and nuts
9	Flanges	Cast iron	75mm x 10mm	Turning, drilling, welding	Lathe, drilling m/c, welding m/c
10	Couplings	Cast iron	60mm x 19mm	Turning, drilling, welding	Lathe, drilling m/c, welding m/c

3. Tests and Results

The fabricated flour mixing machine was tested and compared to the indigenous method of mixing dough. In order to achieve the desired texture, test for hardness was carried out to know if it is necessary to add water to the mixed flour.

Unlike the other method of mixing flour, this newly designed machine makes the work easier, efficient and much faster than the indigenous way of mixing dough with 87% efficiency. It was however observed that the rate of mixing flour in this machine was faster. This research work has successfully presented a functional and highly efficient low cost flour mixing machine by minimizing traditional technique of mixing and health condition of individual, this machine is design for restaurant and bread making industry usage, in other to improve a healthy and hygienic condition of an individual. It is expected that an average company in Nigeria can afford the machine.

Table 4: Test

Time (s)	Driver (prime mover) (rpm)	Driven(basin) (rpm)
60	2840	71
120	5680	142
180	8520	213
240	11360	284

Design capacity = 100kg/hr

Capacity per batch = 25kg

But thorough mixing of dough was achieved in approximately 15minutes per batch

Time for mixing 100kg of dough = 4×15
 = 60mins

Determination of Efficiency (ϵ)

Ma= Mass of flour to mix

Mb== Mass of flour after mixing

Hence,

$$\epsilon = \frac{Ma}{Mb} \times 100$$

Ma=25kg Mb= 28.7

$$\epsilon = \frac{25}{28.7} \times 100$$

$$\epsilon = 0.871$$

4. Conclusion and Recommendations

4.1 Conclusion

A flour mixing machine is developed for the domestic consumers for better efficiency. In addition to the fact that this machine gives more hygienic mixed dough, it also eliminates the indigenous process of preparing dough. The improvement of the flour mixing machine which is able to form dough from flour and ingredients demonstrates that the fact that such food processing equipment helps in producing large quantities and keeps cost under control. The flour mixing machine is fast and reduces wastages. This machine is design for bread making industry and restaurant usage, in other to improve a healthy and hygienic condition of an individual. It is expected that an average bread making industry in Nigeria can afford the machine.

4.2 Recommendations

From this research, we recommend that some chemical analysis of the end product should be carried out to determine the degree of contamination of the mixed flour by the material employed in the machine construction. Also, there is room for improvement in the efficiency and physical outlook of the machine.

References

- [1] Agrawal, Y.C., Singgvi, A., Shodhi, R.S. (2017). Development of an Abrasive Brush Type Dough Mixing Machine. *Journal of Agricultural Engineering Indian Society of Agriculture*, 20(3&4), 179–182 Bakerpedia. Fermentation. Retrieved May 2, 2019 From <https://bakerpedia.com/processes/fermentation/#>
- [2] Akissoe, N., Hounhouigan, D.J., Mestres, C., &Nago, M. (2003). How Blanching and Drying Affect the Colourand Functional Characteristics of Yam (*DioscoreaCayenensis*- Rotundata) flour. *Food Chemistry*, 82, 257 – 264.
- [3] Ayodeji, S.P., Akinnuli, B.O. &Olabanji, O.M. (2014).Development of Yam Peeling and Slicing Machine for a Yam Processing Plant.*Journal of Machinery Manufacturing and Automation*,3(4), 74-83.
- [4] Babajide J.M. &Atanda O. (2008).Quantitative survey and anti-microbial effect of *Pipistigmahonnigil* and *Khayaivorensis* on Traditional Dough Mixing, *African journal of Microbiology Research*, 2, 078-082
- [5] Bot, A.U.(2003). Development of Dough Mixing Machine,Peeling. *Journal of Machinery Manufacturing and Automation*,3(4),pg 74-83.
- [6] Curtis B.C .,Rajaram S.,Gomez Macpherson H (2002). Bread Wheat. *Plant Production And Protection Series*. FAO pp30
- [7] Faluyi Olufemi and Opadoja Dele (2018). Design and Fabrication of Porridge and Yam Flour Mixing Machine. *International Journal of Science, Engineering & Environmental Technology (IJOSEET)*, 3(7), 47-54, ISSN 0794-9650
- [8] Food And Agriculture Organisation Of United Nations (1994). *Cereals And Cereal Products*.Retrieved April 14, 2019 From <http://www.fao.org/es/faodef/fdef01e.htm>
- [9] Kline, B.M., and Sugihara, F.K. (2014).A flour Mixing Machine: Development, Design and Construction. *Journal of Agricultural Engineering Research*, 21, 361– 369
- [10] Okafor (2015). Design Of Power Driven Dough Mixing Machine. *International Journal Of Engineering And Technology* 5 (2) pp22-36
- [11] Okonkwo Betholomew Chidi (2014). Optimization Of Mix Ratio And Evaluation Of Thermophysical Properties On The Product Quality Of Composite Wheat - Cassava - Soy Flour Bread. University Of Nigeria Nsukka
- [12] Perry, R.H. (1998). *Chemical Engineers Handbook*. McGraw-Hill Book Company, Singapore.
- [13] Peter R. Shewry and Sandra J. Hey (2015). The Contribution Of Wheat To Human Diet And Health. *Food And Energy Security* 4(3), 178 – 202
- [14] Shigley, J.E., &Mischike, C.R. (2001).*Mechanical Engineering Design(6thed.)*. New York, NY: McGraw-Hill Publication
- [15] Siraj A. Tamboli (2017). Smart Dough Making Machine. *Imperial Journal Of Interdisciplinary Research (IJIR)* 3(4), 1367 ISSN: 2454-1362